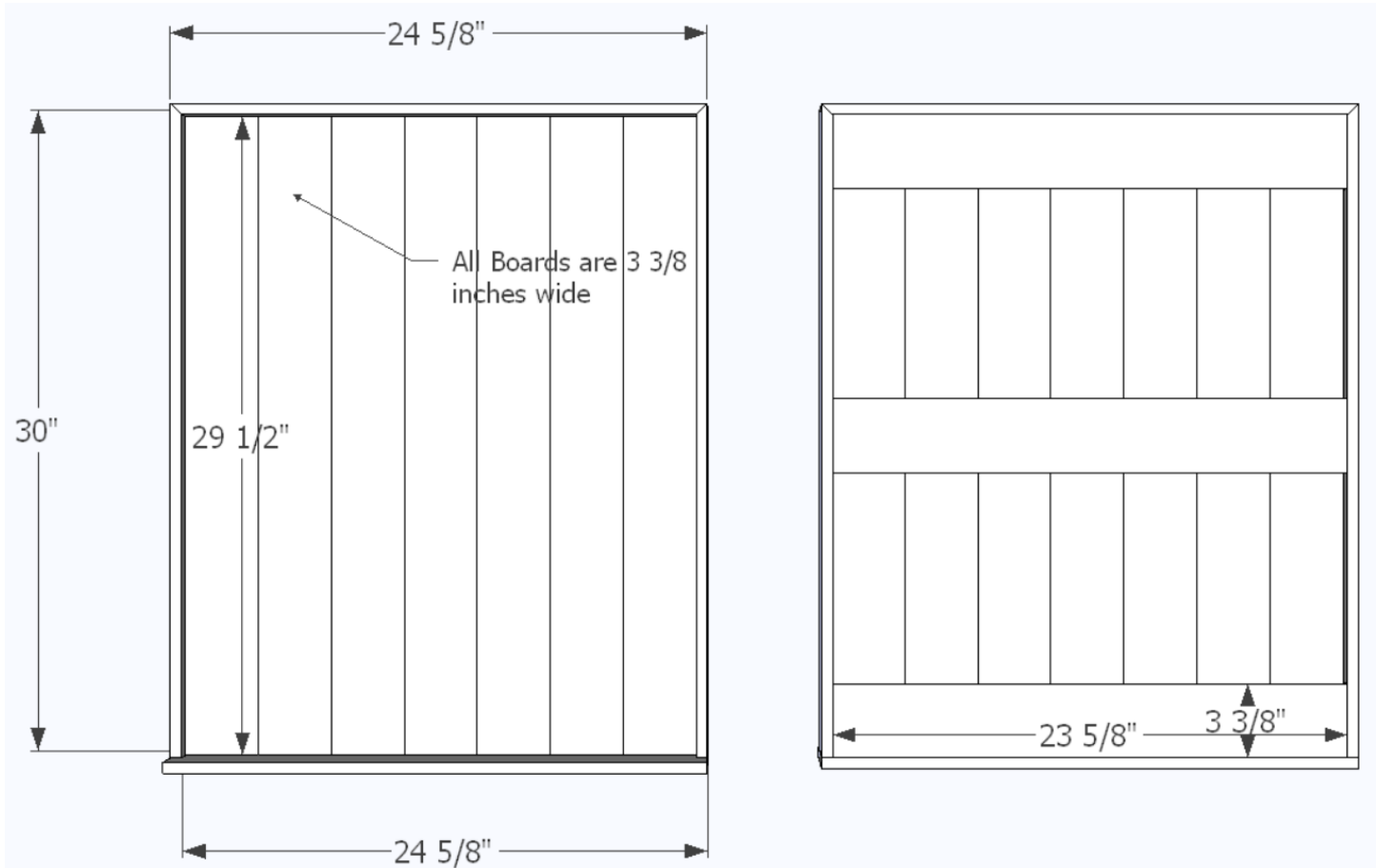


Dartboard Backboard Plans

The material I used was from pallets. The thickness ranged from $\frac{1}{2}$ inch to $\frac{5}{8}$ inches. All Lumber in this plan is $\frac{1}{2}$ inch. I also used a $\frac{1}{4}$ inch round-over on the



frame and sill (not shown in the design).

